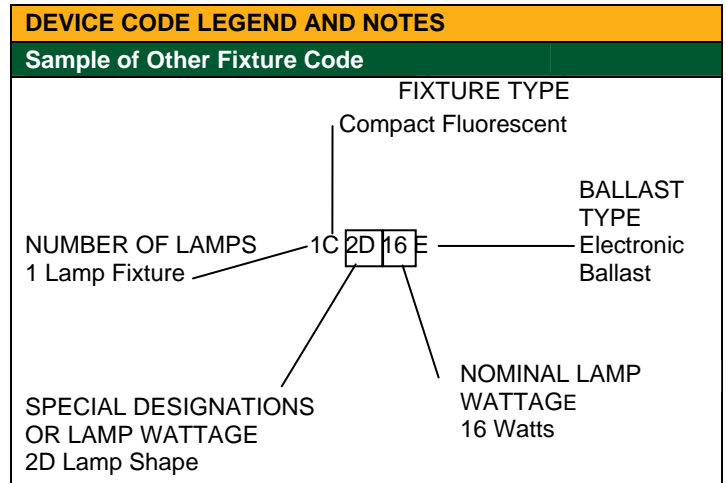
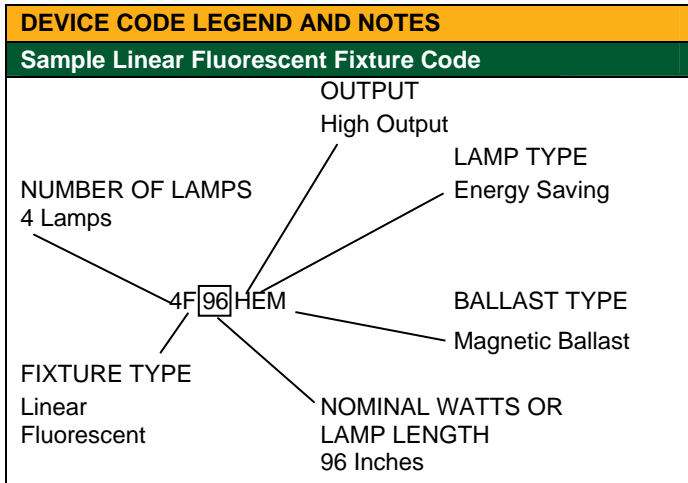


Lighting System Rated Wattage Table

a BGE Smart Energy Savers ProgramSM



We're on it.SM



Code Explanations Fixture Type	
D	Double Tandem Wired Fluorescent
E	LED Exit Signs
F	Linear Fluorescent
HPS	High Pressure Sodium
I	Incandescent
LPS	Low Pressure Sodium
MH	Metal Halide
MV	Mercury Vapor
PS	Pulse Start Metal Halide
R	Low Voltage Halogen
T	Halogen/Quartz Lamps
W	Tandem Wired Fluorescent

Lamp Type	
E	Energy-Efficient
S	Standard
BX	Biax (long compact fluorescent)

Ballast Type for all fluorescent fixtures	
E	Electronic
S	Standard Magnetic
L	Low Ballast Factor
M	Energy-Efficient Magnetic
H	High Ballast Factor

For HID (Metal Halide, Pulse Start, High Pressure Sodium, Low Pressure Sodium)	
S	Standard Magnetic
E	Electronic
P	Pulse Start CWA Ballast
R	Pulse Start Linear Ballast

Output	
S	Standard Output
H	High Output
V	Very High Light Output
T	Five Foot Standard Output

Notes:

- (1) The column labeled Watts/Fixtures in the data table includes ballast loads.
- (2) The fixture wattage values represent an average value, rounded to the nearest whole watt.

ABBREVIATION	DESCRIPTION
BX	Biax/Twin Tube Lamp
HW	Hard Wire Fixture
EEMAG	Energy-Efficient Magnetic
EE	Energy-Efficient Lamp
ELIG	Electronic Ballast
HBF	High Ballast Factor
HPF	High Power Factor
HO	High Output Lamp
LBF	Low Ballast Factor
STD	Standard Ballast or Lamp
VHO	Very High Output Lamp

Device Code	Device Description	Rated Watts
-------------	--------------------	-------------

Device Code	Device Description	Rated Watts
-------------	--------------------	-------------

Eight Foot T12 Systems

1F96SEE	1L8' EE/ELIG	60
1F96SES	1L8' EE/STD	83
1F96SSE	1L8' STD/ELIG	70
1F96SSS	1L8' STD/STD	100
2F96SEE	2L8' EE/ELIG	109
2F96SEM	2L8' EE/EEMAG	123
2F96SES	2L8' EE/STD	138
2F96SSE	2L8' STD/ELIG	134
2F96SSM	2L8' STD/EEMAG	158
2F96SSS	2L8' STD/STD	173
3F96SES	3L8' EE/STD	221
3F96SSS	3L8' STD/STD	273
4F96SEE	4L8' EE/ELIG	218
4F96SEM	4L8' EE/EEMAG	246
4F96SES	4L8' EE/STD	276
4F96SSE	4L8' STD/ELIG	268
4F96SSM	4L8' STD/EEMAG	316
4F96SSS	4L8' STD/STD	346

Eight Foot T12 HO Systems

1F96HES	1L8' HO/EE/STD	125
1F96HSS	1L8' HO/STD/STD	135
2F96HEE	2L8' HO/EE/ELIG	170
2F96HEM	2L8' HO/EE/EEMAG	207
2F96HES	2L8' HO/EE/STD	227
2F96HSE	2L8' HO/STD/ELIG	195
2F96HSM	2L8' HO/STD/EEMAG	237
2F96HSS	2L8' HO/STD/STD	257
3F96HES	3L8' HO/EE/STD	352
3F96HSS	3L8' HO/STD/STD	392
4F96HEE	4L8' HO/EE/ELIG	340
4F96HEM	4L8' HO/EE/EEMAG	414
4F96HES	4L8' HO/EE/STD	454
4F96HSE	4L8' HO/STD/ELIG	390
4F96HSM	4L8' HO/STD/EEMAG	474
4F96HSS	4L8' HO/STD/STD	514

Eight Foot T12 VHO Systems

1F96VES	1L8' VHO/EE/STD	200
1F96VSS	1L8' VHO/STD/STD	230
2F96VES	2L8' VHO/EE/STD	390
2F96VSS	2L8' VHO/STD/STD	450
3F96VES	3L8' VHO/EE/STD	590
3F96VSS	3L8' VHO/STD/STD	680
4F96VES	4L8' VHO/EE/STD	780
4F96VSS	4L8' VHO/STD/STD	900

Six Foot T12 Systems

1F72HSS	1L6' F72HO/STD/STD	113
1F72SSM	1L6' STD/EEMAG	80
1F72SSS	1L6' STD/STD	95
2F72HSE	2L6'T8 HO/ELIG	160
2F72HSM	2L6' F72HO/STD/EEMAG	193
2F72HSS	2L6' F72HO/STD	195
2F72SSM	2L6' STD/EEMAG	135
2F72SSS	2L6' STD/STD	173

Five Foot HO Systems

1F60HSM	1L5' HO/STD/EEMAG	90
2F60HSM	2L5' HO/STD/EEMAG	178

Four Foot Fluorescent T12 Systems

1F40SEE	1L4' EE/ELIG	38
1F40SEM	1L4' EE/EEMAG	40
1F40SES	1L4' EE/STD	50
1F40SSE	1L4' STD/ELIG	46
1F40SSM	1L4' STD/EEMAG	50
1F40SSS	1L4' STD/STD	57
2F40SEE	2L4' EE/ELIG	60
2F40SEM	2L4' EE/EEMAG	70
2F40SES	2L4' EE/STD	80
2F40SSE	2L4' STD/ELIG	72
2F40SSM	2L4' STD/EEMAG	86
2F40SSS	2L4' STD/STD	94
3F40SEE	3L4' EE/ELIG	90
3F40SEM	3L4' EE/EEMAG	110
3F40SES	3L4' EE/STD	130
3F40SSE	3L4' STD/ELIG	110
3F40SSM	3L4' STD/EEMAG	136
3F40SSS	3L4' STD/STD	151
4F40SEE	4L4' EE/ELIG	120
4F40SEM	4L4' EE/EEMAG	140
4F40SES	4L4' EE/STD	160
4F40SSE	4L4' STD/ELIG	144
4F40SSM	4L4' STD/EEMAG	172
4F40SSS	4L4' STD/STD	188
6F40SSS	6L4' STD/STD	282

Four Foot F48 T12 Systems

1F48SES	1L4' F48T12EE/STD	50
1F48SSS	1L4' F48T12/STD	60
2F48SES	2L4' F48T12EE/STD	82
2F48SSS	2L4' F48T12/STD	102
3F48SES	3L4' F48T12EE/STD	132
3F48SSS	3L4' F48T12/STD	162
4F48SES	4L4' F48T12EE/STD	164
4F48SSS	4L4' F48T12/STD	204

Four Foot F48 HO T12 Systems

1F48HES	1L4' F48HO/EE/STD	80
1F48HSS	1L4' F48HO/STD/STD	85
2F48HES	2L4' F48HO/EE/STD	135
2F48HSS	2L4' F48HO/STD/STD	145
3F48HES	3L4' F48HO/EE/STD	215
3F48HSS	3L4' F48HO/STD/STD	230
4F48HES	4L4' F48HO/EE/STD	270
4F48HSS	4L4' F48HO/STD/STD	290
1F48VES	1L4' F48VHO/EE/STD	123
1F48VSS	1L4' F48VHO/STD/STD	138
2F48VES	2L4' F48VHO/EE/STD	210
2F48VSS	2L4' F48VHO/STD/STD	240
3F48VES	3L4' F48VHO/EE/STD	333
3F48VSS	3L4' F48VHO/STD/STD	378
4F48VES	4L4' F48VHO/EE/STD	420
4F48VSS	4L4' F48VHO/STD/STD	480

Device Code	Device Description	Rated Watts
-------------	--------------------	-------------

Device Code	Device Description	Rated Watts
-------------	--------------------	-------------

Three Foot T12 Systems

F30SEM	1L3' EE/EEMAG	38
1F30SES	1L3' EE/STD	42
1F30SSS	1L3' STD/STD	46
2F30SEE	2L3' EE/ELIG	49
2F30SEM	2L3' EE/EEMAG	66
2F30SES	2L3' EE/STD	73
2F30SSS	2L3' STD/STD	80
3F30SES	3L3' EE/STD	127
3F30SSS	3L3' STD/STD	140

Two Foot T12 Systems

1F20SSS	F20T12/HPF(1)	32
2F20SSS	F20T12/HPF(2)	56
2F24HSS	2L2' HO/STD/STD	85
3F20SSS	F20T12/HPF(3)	78

Eight Foot T8 Systems

1F59SSE	1L8' T8/ELIG	60
1F80SSE	1L8' T8 HO/ELIG	85
2F59SSE	2L8' T8/ELIG	109
2F59SSL	2L8' T8/ELIG LOW PWR	100
2F80SSE	2L8' T8 HO/ELIG	160

Five Foot T8 Systems

1F40HSE	1L5' HO/STD/ELIG	59
2F40HSE	2L5' HO/STD/ELIG	123
2F40TSE	2L5'T8/ELIG	68
3F40TSE	3L5'T8/ELIG	106

Four Foot T8 Systems

1F32SSE	1L4' T8/ELIG	28
1F32SSS	1L4'T8/STD	30
1F32SSL	1L4 T8/ELIG LOW POWER	26
1F32SSM	1L4' T8/EEMAG	37
1F32EEH	1L4' T8EE/ELEE HBF	38
1F32EEE	1L4' T8EE/ELEE	28
1F32EEL	1L4' T8EE/ELEE LBF	25
2F32SSE	2L4' T8/ELIG	55
2F32SSS	2L4'T8/STD	60
2F32SSH	2L4' T8/ELIG HBF	78
2F32SSL	2L4 T8/ELIG LBF	52
2F32SSM	2L4' T8/EEMAG	70
2F32EEH	2L4' T8EE/ELEE HBF	73
2F32EEE	2L4' T8EE/ELEE	53
2F32EEL	2L4' T8EE/ELEE LBF	47
3F32SSE	3L4' T8/ELIG	82
3F32SSS	3L4'T8/STD	88
3F32SSH	3L4' T8/ELIG HBF	112
3F32SSL	3L4 T8/ELIG LBF	76
3F32SSM	3L4' T8/EEMAG	107
3F32EEH	3L4' T8EE/ELEE HBF	111
3F32EEE	3L4' T8EE/ELEE	84
3F32EEL	3L4' T8EE/ELEE LBF	73
4F32SSE	4L4' T8/ELIG	108
4F32SSS	4L4'T8/STD	112
4F32SSH	4L4' T8/ELIG HBF	156
4F32SSL	4L4 T8/ELIG LB F	98
4F32SSM	4L4' T8/EEMAG	140
4F32EEH	4L4' T8EE/ELEE HBF	146
4F32EEE	4L4' T8EE/ELEE	108
4F32EEL	4L4' T8EE/ELEE LBF	95
5F32SSE	5L4' T8/ELIG	148
5F32SSH	5L4' T8/ELIG HBF	190

Four Foot T8 Systems (continued)

6F32SSE	6L4' T8/ELIG	174
6F32SSH	6L4' T8/ELIG HBF	220
8F32SSH	8L4' T8/ELIG HBF	312

T8 Reduced Wattage

1F25EEH	1L4' 30W T8EE/ELEE HBF	30
1F25EEE	1L4' 30W T8EE/ELEE	22
1F25EEL	1L4' 30W T8EE/ELEE LBF	20
2F25EEH	2L4' 30WT8EE/ELEE HBF	86
2F25EEE	2L4' 30W T8EE/ELEE	43
2F25EEL	2L4' 30W T8EE/ELEE LBF	57
3F25EEH	3L4' 30W T8EE/ELEE HBF	86
3F25EEE	3L4' 30W T8EE/ELEE	66
3F25EEL	3L4' 30W T8EE/ELEE LBF	57
4F25EEH	4L4' 30W T8EE/ELEE HBF	112
4F25EEE	4L4' 30W T8EE/ELEE	86
4F25EEL	4L4' 30W T8EE/ELEE LBF	75
1F28EEH	1L4' 28W T8EE/ELEE HBF	33
1F28EEE	1L4' 28W T8EE/ELEE	24
1F28EEL	1L4' 28W T8EE/ELEE LBF	22
2F28EEH	2L4' 28WT8EE/ELEE HBF	65
2F28EEE	2L4' 28W T8EE/ELEE	49
2F28EEL	2L4' 28W T8EE/ELEE LBF	42
3F28EEH	3L4' 28W T8EE/ELEE HBF	100
3F28EEE	3L4' 28W T8EE/ELEE	73
3F28EEL	3L4' 28W T8EE/ELEE LBF	64
4F28EEH	4L4' 28W T8EE/ELEE HBF	126
4F28EEE	4L4' 28W T8EE/ELEE	94
4F28EEL	4L4' 28W T8EE/ELEE LBF	83
1F30EEH	1L4' 30W T8EE/ELEE HBF	39
1F30EEE	1L4' 30W T8EE/ELEE	29
1F30EEL	1L4' 30W T8EE/ELEE LBF	25
2F30EEH	2L4' 30WT8EE/ELEE HBF	72
2F30EEE	2L4' 30W T8EE/ELEE	53
2F30EEL	2L4' 30W T8EE/ELEE LBF	47
3F30EEH	3L4' 30W T8EE/ELEE HBF	106
3F30EEE	3L4' 30W T8EE/ELEE	84
3F30EEL	3L4' 30W T8EE/ELEE LBF	70
4F30EEH	4L4' 30W T8EE/ELEE HBF	NA
4F30EEE	4L4' 30W T8EE/ELEE	104
4F30EEL	4L4' 30W T8EE/ELEE LBF	91

Three Foot T8 Systems

1F25SSE	1L3'T8/ELIG	24
2F25SSE	2L3' T8/ELIG	47
2F25SSM	2L3' T8/EEMAG	65
3F25SSE	3L3'T8/ELIG	68
4F25SSE	4L3' T8/ELIG	88

Two Foot T8 Systems

1F17SSE	1L2'T8/ELIG	17
2F17SSE	2L2' T8/ELIG	37
2F17SSL	2L2' T8/ELIG LBF	27
2F17SSM	2L2' T8/EEMAG	45
3F17SSE	3L2' T8/ELIG	53
3F17SSL	3L2' T8/ELIG LBF	39
4F17SSE	4L2' T8/ELIG	62

Device Code	Device Description	Rated Watts
-------------	--------------------	-------------

Device Code	Device Description	Rated Watts
-------------	--------------------	-------------

T5 Systems

1F21SSE	1L3' T5/ELIG	27
1F28SSE	1L4' T5/ELIG	32
2F21SSE	2L3' T5/ELIG	52
2F28SSE	2L4' T5/ELIG	63
3F24HSE	3L4' T5HO/ELIG	80

Tandem-Wired Fluorescent Systems

W32EEE	2L4' TW T8EE/ELIG	27
W32EEL	2L4' TW T8EE/ELEE LBF	24
W32EEE	3L4' TW T8EE/ELIG	39
W32EEL	3L4' TW T8EE/ELEE LBF	34
W32EEE	4L4' TW T8EE/ELIG	51
W32EEL	4L4' TW T8EE/ELEE LBF	45
W32SSE	2L4' TW T8/ELIG	30
W32SSH	2L4' TW T8/HBF	39
W40SEE	2L4' TW T8EE/ELIG	30
W40SSE	2L4' TW STD/ELIG	36
W59HSE	2L8' TW T8 HO/ELIG	80
W59SSE	2L8' TW T8/ELIG	55
W96HEE	2L8' TW HO-EE/ELIG	85
W96HSE	2L8' TW HO-STD/ELIG	98
W96SEE	2L8' TW EE/ELIG	55
W96SSE	2L8' TW STD/ELIG	67
W32SSE	3L4' TW T8/ELIG	29
4D17SSE	4L2' TW T8/ELIG	31
4D32EEE	4L4' DTW T8EE/ELIG	51
4D32EEL	4L4' DTW T8EE/ELEE LBF	45
4D32SSE	4L4' DTW T8/ELIG	53
4D32SSL	4L4' DTWT8/ELIG LBF	49
W32SSE	4L4' TW T8/ELIG	27
W32SSL	4L4' TWT8/ELIG LBF	25
6F32SSH	6L4' T8/ELIG HIGH LMN	234

Pulse Start MH Lamp/Ballast

PS0100P	100W PSMH CWA	128
PS0100R	100W PSMH LINEAR	118
PS0150P	150W PSMH CWA	190
1P0150R	150W PSMH LINEAR	172
PS0175P	175W PSMH CWA	208
PS0175R	175W PSMH LINEAR	190
PS0200P	200W PSMH CWA	232
PS0200R	200W PSMH LINEAR	218
PS0250P	250W PSMH CWA	288
PS0250R	250W PSMH LINEAR	265
PS0300P	300W PSMH CWA	342
PS0300R	300W PSMH LINEAR	324
PS0320P	320W PSMH CWA	365
PS0320R	320W PSMH LINEAR	345
PS0350P	350W PSMH CWA	400
PS0350R	350W PSMH LINEAR	375
PS0400P	400W PSMH CWA	455
PS0400R	400W PSMH LINEAR	430
PS0450P	450W PSMH CWA	508
1PS0450R	450W PSMH LINEAR	480
PS0750P	750W PSMH CWA	815
PS0750R	750W PSMH LINEAR	805
PS1000P	1000W PSMH CWA	1080

MH Track Lighting

1MH0035E	35W MH SPOT	44
1MH0070E	70W MH SPOT	80
1MH0100E	100W MH SPOT	111

Metal Halide

1MH0032S	32W METAL HALIDE	40
1MH0050S	50W METAL HALIDE	65
1MH0070S	70W METAL HALIDE	95
1MH0100S	100W METAL HALIDE	120
1MH0150S	150W METAL HALIDE	190
1MH0175S	175W METAL HALIDE	205
1MH0250S	250W METAL HALIDE	295
1MH0360S	360W METAL HALIDE	430
1MH0400S	400W METAL HALIDE	455
1MH0750S	750W METAL HALIDE	825
1MH1000S	1000W METAL HALIDE	1075
1MH1500S	1500W METAL HALIDE	1615
1MH1800S	1800W METAL HALIDE	1875

Mercury Vapor

1MV0040S	40W MERCURY	50
1MV0050S	50W MERCURY	75
1MV0075S	75W MERCURY	95
1MV0100S	100W MERCURY	120
1MV0175S	175W MERCURY	205
1MV0250S	250W MERCURY	290
1MV0400S	400W MERCURY	455
1MV0700S	700W MERCURY	775
1MV1000S	1000W MERCURY	1075
2MV0400S	2/400W MERCURY	880

Halogen/Quartz Lamps

1T0035	35W HALOGEN LAMP	35
1T0040	40W HALOGEN LAMP	40
1T0042	42W HALOGEN LAMP	42
1T0045	45W HALOGEN LAMP	45
1T0050	50W HALOGEN LAMP	50
1T0052	52W HALOGEN LAMP	52
1T0055	55W HALOGEN LAMP	55
1T0060	60W HALOGEN LAMP	60
1T0072	72W HALOGEN LAMP	72
1T0075	75W HALOGEN LAMP	75
1T0090	90W HALOGEN LAMP	90
1T0100	100W HALOGEN LAMP	100
1T0150	150W HALOGEN LAMP	150
1T0200	200W HALOGEN LAMP	200
1T0250	250W HALOGEN LAMP	250
1T0300	300W HALOGEN LAMP	300
1T0350	350W HALOGEN LAMP	350
1T0400	400W HALOGEN LAMP	400
1T0425	425W HALOGEN LAMP	425
1T0500	500W HALOGEN LAMP	500
1T0750	750W HALOGEN LAMP	750
1T0900	900W HALOGEN LAMP	900
1T1000	1000W HALOGEN LAMP	1000
1T1200	1200W HALOGEN LAMP	1200
1T1500	1500W HALOGEN LAMP	1500

Device Code	Device Description	Rated Watts
-------------	--------------------	-------------

Device Code	Device Description	Rated Watts
-------------	--------------------	-------------

Low Voltage Halogen

1R0020	20W LV HALOGEN FIXT	30
1R0025	25W LV HALOGEN FIXT	35
1R0035	35W LV HALOGEN FIXT	45
1R0042	42W LV HALOGEN FIXT	52
1R0050	50W LV HALOGEN FIXT	60
1R0065	65W LV HALOGEN FIXT	75
1R0075	75W LV HALOGEN FIXT	85

Incandescent Lamps (continued)

110200	200W INC	200
110300	300W INC	300
110448	448W INC	448
110500	500W INC	500
110750	750W INC	750
111000	1000W INC	1000
111500	1500W INC	1500

High Pressure Sodium

1HPS0035S	35W HPS	45
1HPS0050S	50W HPS	65
1HPS0070S	70W HPS	90
1HPS0100S	100W HPS	130
1HPS0150S	150W HPS	190
1HPS0200S	200W HPS	240
1HPS0225S	225W HPS	275
1HPS0250S	250W HPS	295
1HPS0310S	310W HPS	350
1HPS0360S	360W HPS	435
1HPS0400S	400W HPS	460
1HPS0600S	600W HPS	675
1HPS0750S	750W HPS	835
1HPS1000S	1000W HPS	1085

Compact Fluorescents

1C0005S	5W COMPACT HW	7
1C0007S	7W COMPACT HW	9
1C0009S	9W COMPACT HW	11
1C0011S	11W COMPACT HW	13
1C0013S	13W COMPACT HW	15
1C0018E	18W COMPACT HW ELIG	20
1C0018S	18W COMPACT HW	20
1C0022S	22W COMPACT HW	24
1C0023E	1/23W COMPACT HW ELIG	25
1C0026E	26W COMPACT HW ELIG	28
1C0026S	26W COMPACT HW	28
1C0028S	28W COMPACT HW	30
1C0032S	32W CIRCLINE HW	34
1C0042E	1/42W COMPACT HW ELIG	48
1C0044S	44W CIRCLINE HW	46
1C0057E	1/57W COMPACT HW ELIG	65
1C2232S	22/32W CIRCLINE HW	58
1C2D10E	10W 2D COMPACT HW ELIG	12
1C2D16E	16W 2D COMPACT HW ELIG	18
1C2D21E	21W 2D COMPACT HW ELIG	22
1C2D28E	28W 2D COMPACT HW ELIG	28
1C2D38E	38W 2D COMP. HW ELIG	36
1C3240S	32/40W CIRCLINE HW	80
2C0005S	2/5W COMPACT HW	14
2C0007S	2/7W COMPACT HW	18
2C0009S	2/9W COMPACT HW	22
2C0011S	2/11W COMPACT HW	26
2C0013E	2/13W COMPACT HW ELIG	28
2C0013S	2/13W COMPACT HW	30
2C0018E	2/18W COMP. HW ELIG	40
2C0026E	2/26W COMP. HW ELIG	54
2C0032E	2/32W COMPACT HW ELIG	68
2C0042E	2/42W COMPACT HW ELIG	100
3C0009S	3/9W COMPACT HW	33
3C0013S	3/13W COMPACT HW	45
3C0018E	3/18W COMPACT HW ELIG	60
3C0026E	3/26W COMPACT HW ELIG	82
3C0032E	3/32W COMPACT HW ELIG	114
3C0042E	3/42W COMPACT HW ELIG	141
4C0018E	4/18W COMPACT HW ELIG	80
4C0026E	4/26W COMPACT HW ELIG	108
4C0032E	4/32W COMPACT HW ELIG	152
4C0042E	4/42W COMPACT HW ELIG	188
6C0026E	6/26W COMPACT HW ELIG	162
6C0032E	6/32W COMPACT HW ELIG	228
6C0042E	6/42W COMPACT HW ELIG	282
8C0026E	8/26W COMPACT HW ELIG	216
8C0032E	8/32W COMPACT HW ELIG	304
8C0042E	8/42W COMPACT HW ELIG	376

Low Pressure Sodium

1LPS0035S	35W LPS	60
1LPS0055S	55W LPS	85
1LPS0090S	90W LPS	130
1LPS0135S	135W LPS	180
1LPS0180S	180W LPS	230

Incandescent Lamps

110015	15W INC	15
110020	20W INC	20
110025	25W INC	25
110034	34W INC	34
110036	36W INC	36
110040	40W INC	40
110042	42W INC	42
110045	45W INC	45
110050	50W INC	50
110052	52W INC	52
110054	54W INC	54
110055	55W INC	55
110060	60W INC	60
110065	65W INC	65
110067	67W INC	67
110069	69W INC	69
110072	72W INC	72
110075	75W INC	75
110080	80W INC	80
110085	85W INC	85
110090	90W INC	90
110093	93W INC	93
110100	100W INC	100
110120	120W INC	120
110125	125W INC	125
110135	135W INC	135
110150	150W INC	150

Device Code	Device Description	Rated Watts
-------------	--------------------	-------------

Device Code	Device Description	Rated Watts
-------------	--------------------	-------------

Long Twin-Tube Fluorescent

1F40BXE	1L2' F40BX/ELIG	46
1F50BXE	1L2' F50BX/ELIG	54
1F55BXE	1L2' F55BX/ELIG	56
1F80BXE	1L2' F80BXE/ELIG	90
2F40BXE	2L2' F40BX/ELIG	72
2F50BXE	2L2' F50BX/ELIG	108
2F55BXE	2L2' F55BX/ELIG	112
3F40BXE	3L2' F40BX/ELIG	102
3F50BXE	3L2' F50BX/ELIG	162
3F55BXE	3L2' F55BX/ELIG	168
4F36BXE	4L2' F36BX/ELIG	148
4F40BXE	4L2' F40BX/ELIG	144
4F40BXH	4L 40W T5 (Std.) HBF	170
4F50BXE	4L2' F50BX/ELIG	216
4F55BXE	4L2' F55BX/ELIG	224
5F40BXE	5L2' F40BX/ELIG	190
5F50BXE	5L2' F50BX/ELIG	270
5F55BXE	5L2' F55BX/ELIG	280
6F36BXE	6L2' F36BX/ELIG	212
6F40BXE	6L2' F40BX/ELIG	204
6F50BXE	6L2' F50BX/ELIG	324
6F55BXE	6L2' F55BX/ELIG	336
8F36BXE	8L2' F36BX/ELIG	296
8F40BXE	8L2' F40BX/ELIG	288
8F50BXE	8L2' F50BX/ELIG	432

Long Twin-Tube Fluorescent

8F55BXE	8L2' F55BX/ELIG	448
9F36BXE	9L2' F36BX/ELIG	318
9F40BXE	9L2' F40BX/ELIG	306
9F50BXE	9L2' F50BX/ELIG	486
9F55BXE	9L2' F55BX/ELIG	504
12F40BXE	12L2' F40BX/ELIG	408
12F50BXE	12L2' F50BX/ELIG	648
12F55BXE	12L2' F55BX/ELIG	672

LED Exit Signs

1E0002	2.0 WATT LED	2
1E0003	3.0 WATT LED	3
1E0005	5.0 WLED	5
1E0005C	0.5 WATT LED	0.5
1E0008	8.0 WLED	8
1E001.5	1.5 WATT LED	1.5
1E010.5	10.5 WATT LED	10.5